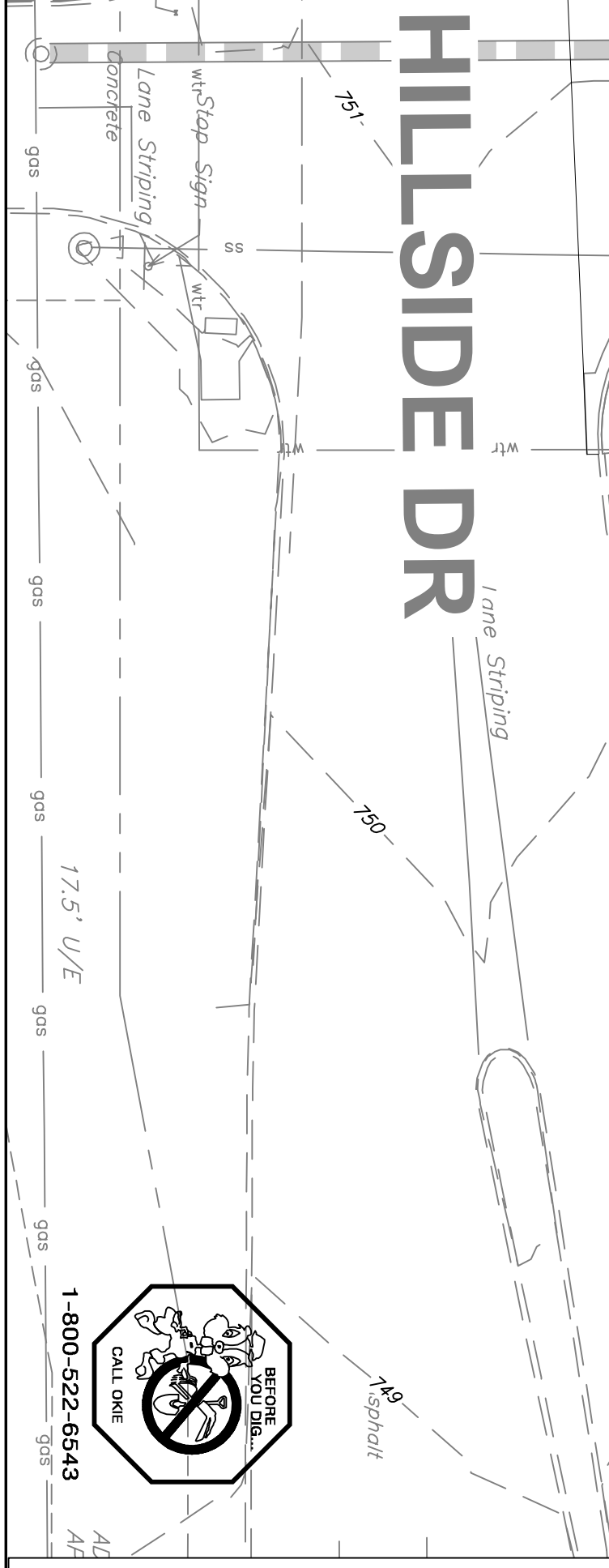
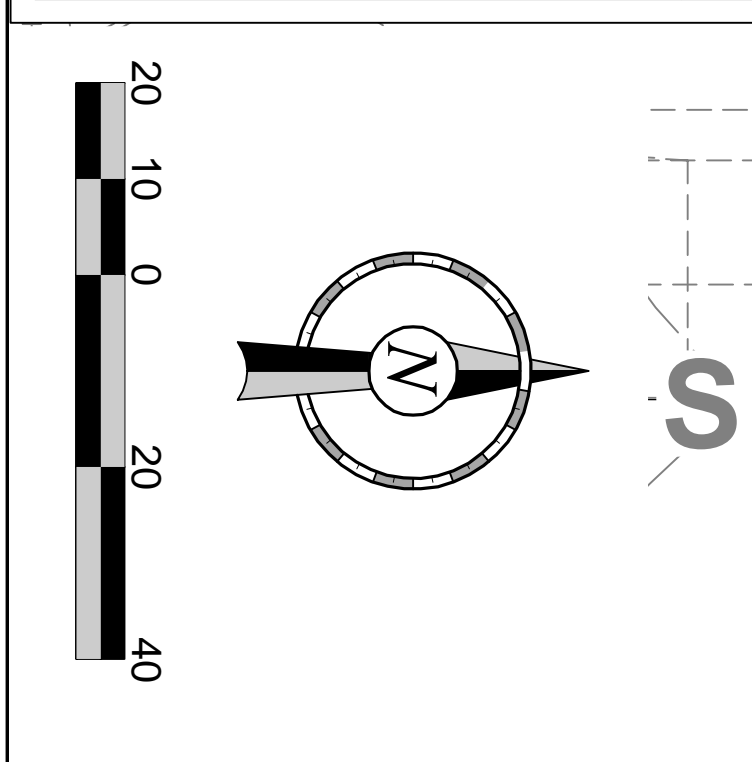


LANDSCAPE REQUIREMENTS	REQUIRED ORDNANCE	PROVIDED
PARKING WHERE PARKING LOTS AND DRIVES ADJUT AND THE LANDSCAPE EDGE IS LESS THAN 30 FEET, 1 SHRUB SHALL BE PROVIDED PER EVERY LINEAR FEET OF FRONTAGE ALONG HILLSIDE DRIVE.	8 TREES REQUIRED, 8 TREES PROVIDED	422 SHRUBS PROVIDED
STREETSCAPE REQUIREMENTS 1. TREE PER 20 LINEAR FEET OF FRONTAGE ALONG AN ARTERIAL STREET. TREES MUST BE ON THE CITY'S APPROVED TREE LIST WITH 2" CALIPER MINIMUM.	11 TREES REQUIRED ALONG ARTERIAL STREET, 12 TREES PROVIDED	21 TREES PROVIDED ALONG ARTERIAL STREET, 22 TREES PROVIDED



USE	SYMBOL	COMMON NAME	MINIMUM SIZE/ HEIGHT/SPREAD	QUANTITIES	COMMENTS
FRONTAGE TREES	(Symbol)	CHINESE PINKY BARKBERRY <i>Betula pumila</i>	HEIGHT/SPREAD 15' 8" X 10' HT MIN	332	SEE LANDSCAPE PLAN AND ASSOCIATED DETAILS FOR TREE PLACEMENT AND SHRUB SPACING
SHRUBS	(Symbol)	GRAPE KNOT <i>Lagotis indica</i>	HEIGHT/SPREAD 24' 8" X 15' HT MIN	95	SEE LANDSCAPE PLAN AND ASSOCIATED DETAILS FOR TREE PLACEMENT AND SHRUB SPACING
MISC	(Symbol)	CHINESE PINKY BARKBERRY <i>Betula pumila</i>	3" CALIPER (TOTAL)	9	CONTRACTOR TO VERIFY SIZE, HEIGHT, AND SPREAD WITH REPRESENTATIVE PRIOR TO INSTALLATION



<p>REV DATE DESCRIPTION</p>	<p>DESIGNED BY: AAB DRAWN BY: MVA REVIEWED BY:</p>	<p>PROTOTYPE: P-88 (08/07/15) VERSION: 001</p>	<p>© COPYRIGHT QUIKTRIP CORPORATION 2011 ALL RIGHTS RESERVED. NO PART OF THIS DOCUMENT IS TO BE REPRODUCED OR TRANSMITTED IN ANY FORM OR BY ANY MEANS, ELECTRONIC OR MECHANICAL, WITHOUT PERMISSION IN WRITING FROM QUIKTRIP CORPORATION.</p>	<p>QuikTrip No. 0034 S. LYNN LANE RD. AND HILLSIDE DRIVE BROKEN ARROW, OKLAHOMA</p>	<p>AAB Engineering, LLC Engineering & Surveying P.O. Box 21381 • 17E 2nd St OKC 73108 Phone: (405) 514-4283 Fax: (405) 514-4288</p>	<p>THIS DOCUMENT IS THE PROPERTY OF AAB ENGINEERING, LLC AND IS NOT TO BE REPRODUCED OR TRANSMITTED IN ANY FORM OR BY ANY MEANS, ELECTRONIC OR MECHANICAL, WITHOUT PERMISSION IN WRITING FROM AAB ENGINEERING, LLC.</p>
<p>LANDSCAPE PLAN</p>		<p>SHEET TITLE:</p>		<p>SHEET NUMBER:</p>		<p>L100</p>
<p>ORIGINAL ISSUE DATE:</p>						