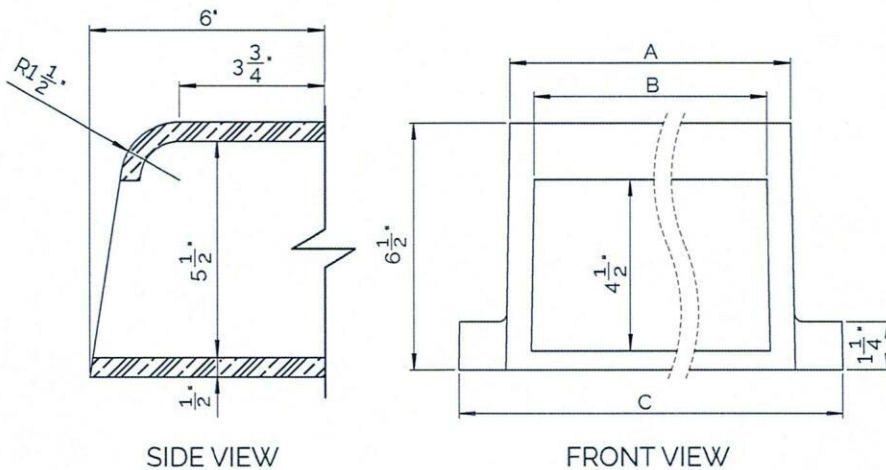


Curb Openings

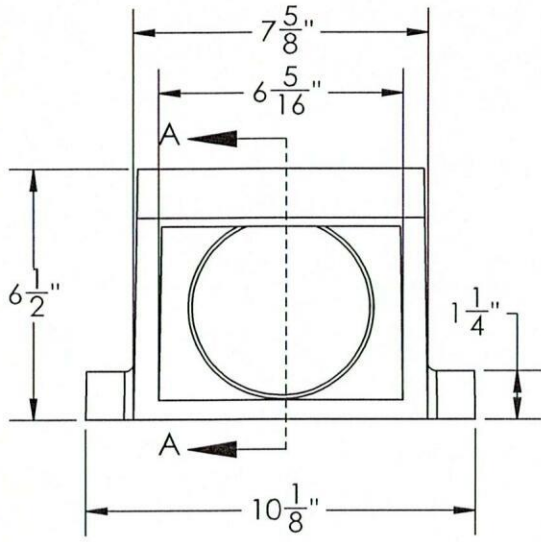
Whether connecting to trench drain, soil pipes, or discharging directly into a natural drainage area, Evergrate cast iron curb openings provide essential protection and visual appeal at the curb line.

Curb Openings Size Chart

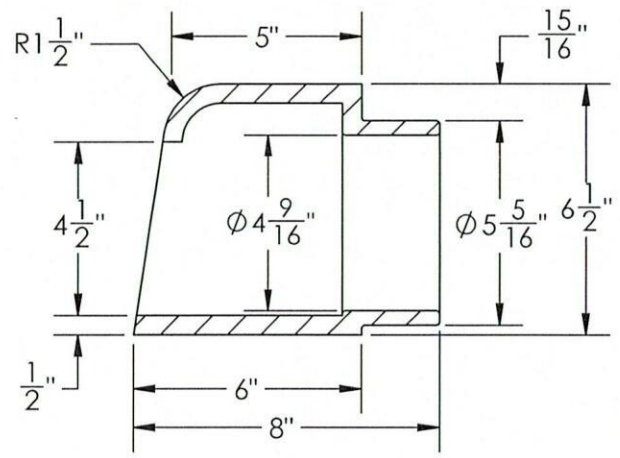
Dimension	A	B	C
6" Curb Opening	7 5/8"	6 5/16"	10 1/18"
8" Curb Opening	9 5/8"	8 5/16"	12 1/18"
12" Curb Opening	13 5/8"	12 5/16"	16 1/18"
14" Curb Opening	15 5/8"	14 5/8"	18 1/18"



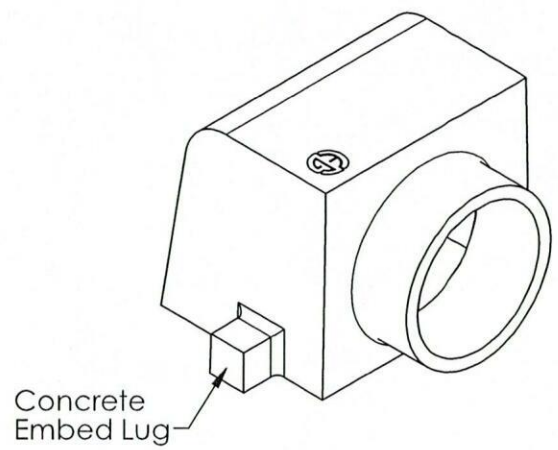
Each curb opening features the same design and profile in the front. In the rear various options exist for different types of drainage connections. (See next page)



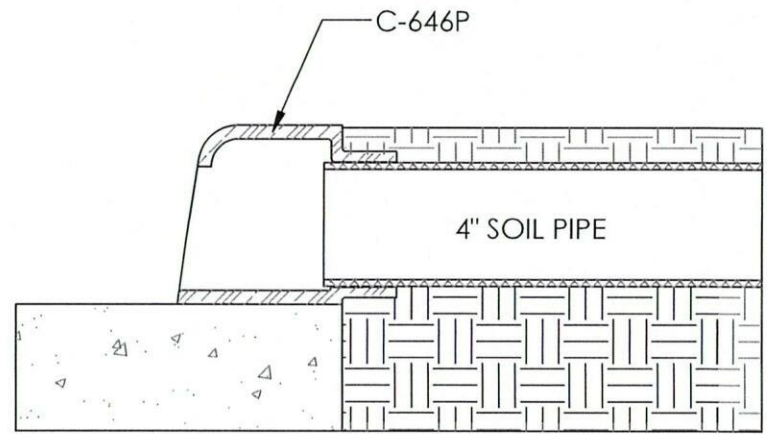
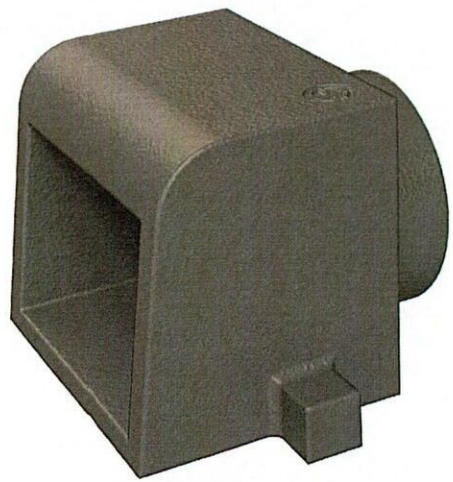
FRONT



SECTION A-A



REAR



INSTALLATION DETAIL

Showing Soil Pipe Connecting to C-646P

Product No. : C-646P

Material: ASTM-A48 Class 30B Gray Iron
Finish: Plain, or anti-skid black powder coat
Weight: 27.8 lbs. ea.

