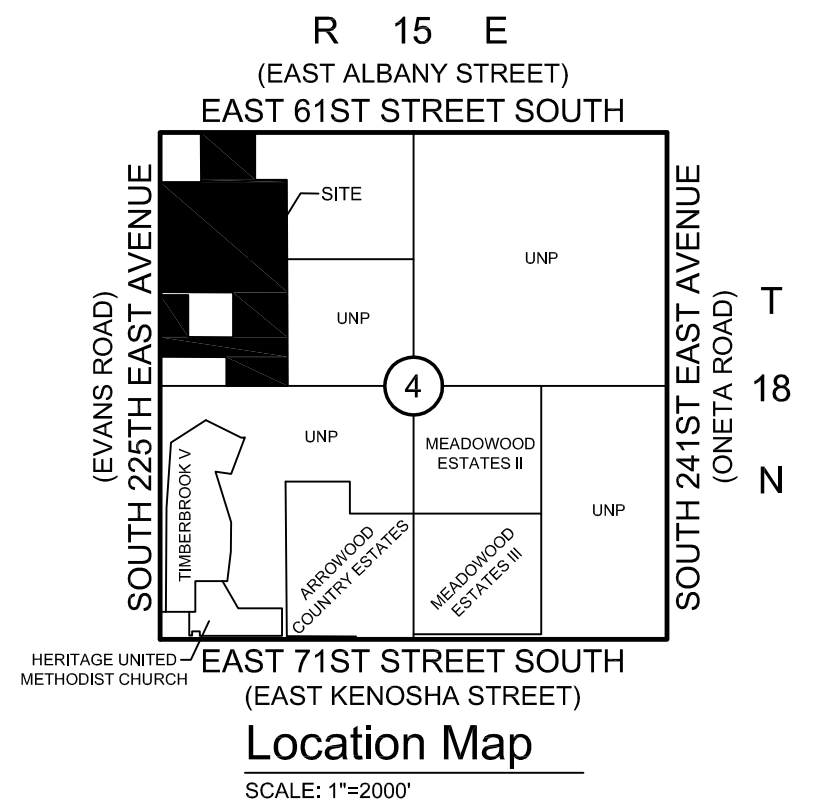
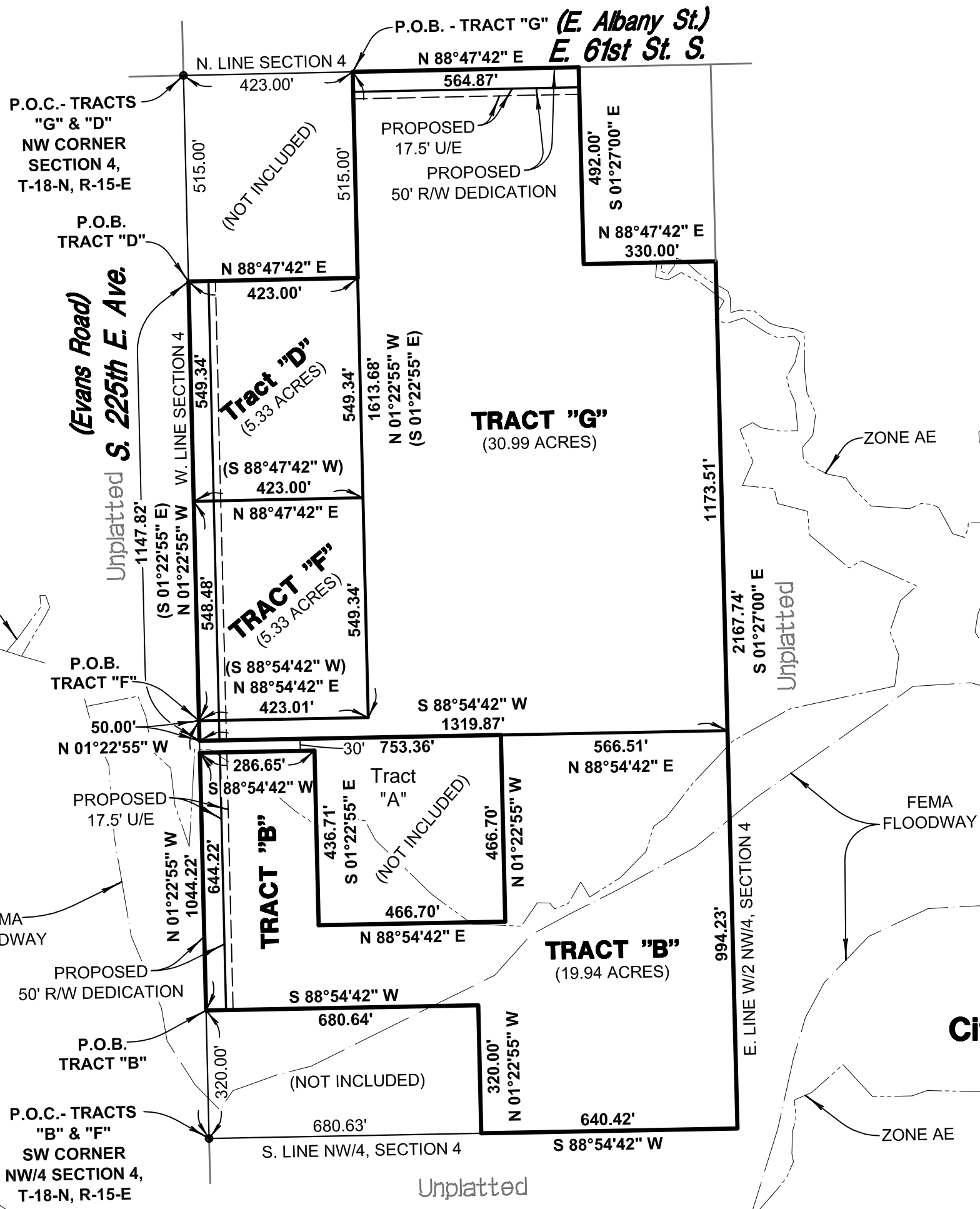
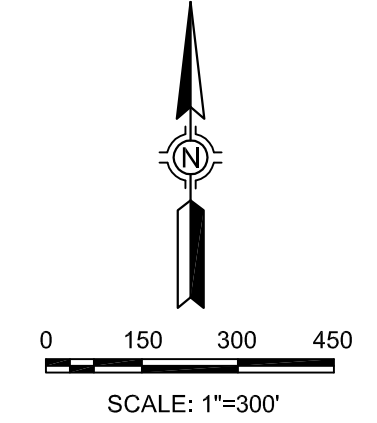


K:\13200.02\Exhibits\LOT-SPLIT-EXH.dwg SHEET 1 Feb 15, 2016 - 10:09:17am SISEMORE WEISZ & ASSOCIATES, INC., 2016



- Legend**
- U/E = UTILITY EASEMENT
 - R/W = RIGHT-OF-WAY
 - P.O.B. = POINT OF BEGINNING
 - P.O.C. = POINT OF COMMENCEMENT

Note:
 FLOOD LINES AS DIGITIZED FROM FEMA FIRM
 MAP PANEL NO. 40145C0105H (4-17-2012)



Lot Split Exhibit of Part of the W/2 of the NW/4 of **Section 4, T-18-N, R-15-E** City of Broken Arrow, Wagoner County, Oklahoma

Sisemore Weisz & Associates, Inc.
 6111 EAST 32nd PLACE
 TULSA, OKLAHOMA 74135
 C.A. NO. 2421

PHONE: (918) 665-3800
 FAX: (918) 665-8668
 EXP. DATE 6/30/17

REVISIONS	BY	DATE	FILE:	1815.0440	SURVEY BY:	DATE:	2/9/16	
			ORDER:	13200.02	DRAWN BY:	LAD	SCALE:	1"=300'
			BOOK:		CHECKED BY:	MC	SHEET	1 OF 1