

Contract Change Order # 2

Project Name: Aspen & Kenosha Street Improvements Project Number: ST1203
 Project Location: Aspen from 71st to 91st Date of Application: Friday, February 24, 2017
 Contractor: Ellsworth Construction, LLC Submitted By: Nathan Ellsworth

Summary of Change in Scope of Work

The following scope of work consisting of work location, work description, established quantities, and timeline for completion has been reviewed and agreed upon by the contractor, the origin funding department, and the Engineering and Construction Department.

Change of Work Items Included in this Change Order:

The contractor is to install (4) 6" steel pipe bollards per the attached detail. The bollard is to be painted safety yellow. Bollards are to be installed as protection for the new traffic signal control cabinet located at Detroit and Aspen intersection. Detailed layout is to be located by the contract administrator prior to installation. Price noted below is a complete installed price.

Change in Contractual Project Time:

1) No change in project time has been assessed for this item

Plan Sheets or Additional Documents Attached: Yes No Other: Bollard Detail

Work Order Quantities

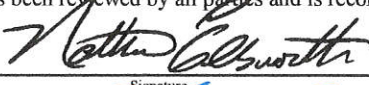
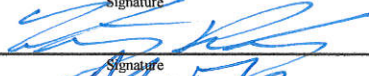
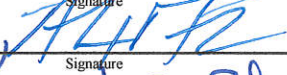
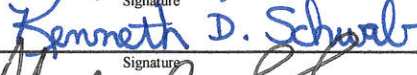

Item#	(Spec)	Item Description	Units	Price	Quantity	Total Amount
CO2-1	-	6" Pipe Bollards; CIP	EA	\$ 1,000.00	4	\$ 4,000.00
Total Change Cost:						\$ 4,000.00

Summary of Project Costs

Total Previous Change Orders:	\$ 19,887.00	Original Contract Amount:	\$ 1,598,580.20
Current Change Order:	\$ 4,000.00	Amended Contract Amount:	\$ 1,622,467.20
Total Cost of Change Orders:	\$ 23,887.00	Percent Change in Contract:	1.49%
Total Cost Applicable to CBA:	\$ 23,887.00	Percent Change Applicable to CBA:	1.49%

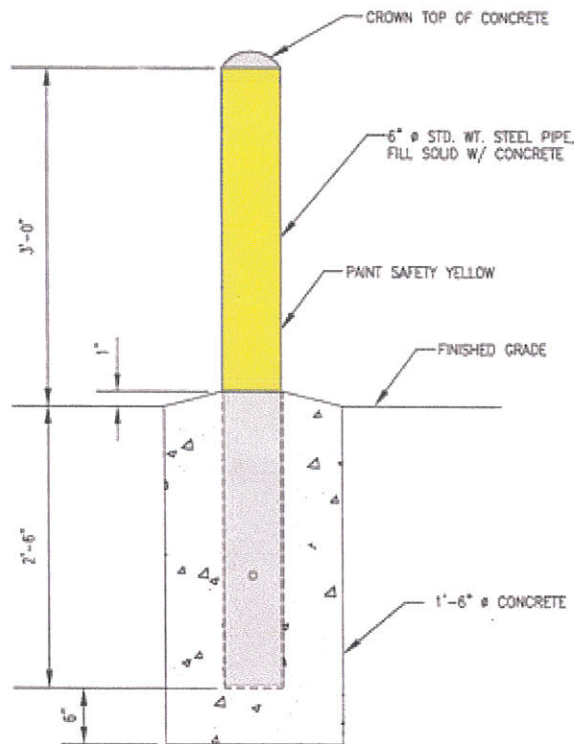
Change Order Authorization

Change Order # 2 in the sum of: \$ 4,000.00 has been reviewed by all parties and is recommended for approval by:

Contractor Submitting Change Order:	Nathan Ellsworth		2/24/17
	Name	Signature	Date
Construction Division Manager:	Timothy S Robins, PE		2/28/17
	Name	Signature	Date
Director of Engineering & Construction:	Alex Mills, PE		2/28/17
	Name	Signature	Date
Assistant City Manager - Operations:	Kenneth D Schwab, PE		03-02-17
	Name	Signature	Date
City Manager:	Michael Spurgeon		3/6/17
	Name	Signature	Date

This Change is Executed Through:

- This change to the contract documents is authorized by the City Manager's authority in accordance with the applicable state statutes and COBA Code of Ordinances.
 or
 This change to the contract documents was approved at the City Council/BAMA meeting held on : _____



Steel Bollard Detail
 Located at Detroit and Aspen Traffic Signal
 Control Cabinet

