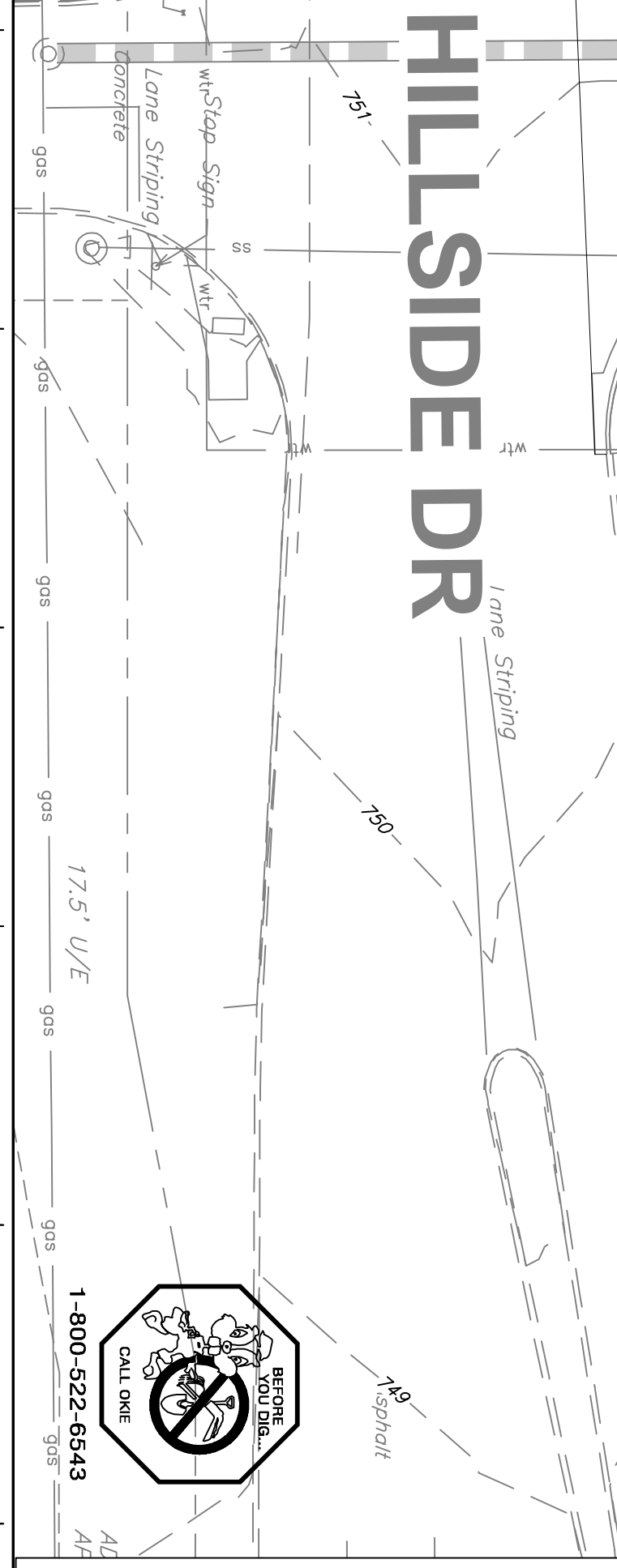
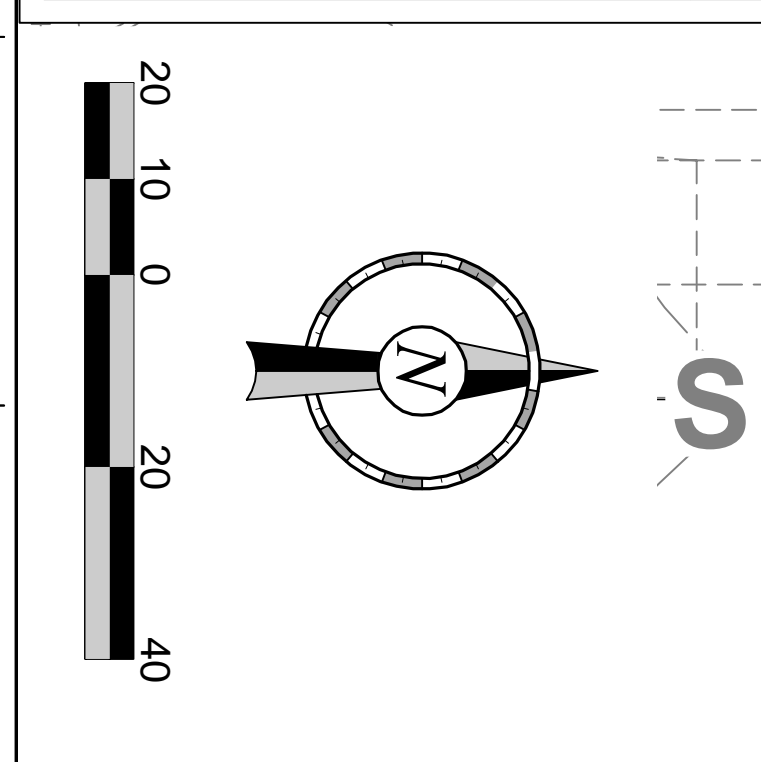


LANDSCAPE REQUIREMENTS	REQUIRED ORDNANCE	PROVIDED
PARKING WHERE PARKING LOTS AND DRIVES ADJUT AND THE LANDSCAPE EDGE IS LESS THAN 30 FEET, 1 SHRUB SHALL BE PROVIDED PER EVERY LINEAR FEET OF FRONTAGE ALONG HILLSIDE DRIVE.	8 TREES REQUIRED, 8 TREES PROVIDED	422 SHRUBS PROVIDED
STREETSCAPE REQUIREMENTS 1. TREE PER 20 LINEAR FEET OF FRONTAGE ALONG AN ARTERIAL STREET. TREES MUST BE ON THE CITY'S APPROVED TREE LIST WITH 2" CALIPER MINIMUM.	11 TREES REQUIRED ALONG ARTERIAL STREET, 12 TREES PROVIDED	21 TREES PROVIDED ALONG ARTERIAL STREET, 22 TREES PROVIDED



Landscape Schedule			
USE	SYMBOL	COMMON NAME <i>Botanical Name</i>	MINIMUM SIZE/ HEIGHT/SPREAD
FRONTAGE TREES		CHINESE PINKY BARKBERRY <i>Berberis thunbergii</i>	HEIGHT/SPREAD 15' 8" X 10' HT MIN
SHRUBS		NEEDLE POINT HOLLY <i>Ilex Cornuta 'Needle Point'</i>	HEIGHT/SPREAD 24' 8" X 18' HT MIN
MISC		GRAPE KNOTS <i>Lagotis indica</i>	3" CALIPER (TOTAL)
		CHINESE PSHACHE <i>Pachira chinensis</i>	12" HT
		TIPKAY 419 BERMUDA SOO	21,340



<p>REV DATE DESCRIPTION</p>	<p>DESIGNED BY: AAB DRAWN BY: MVA REVIEWED BY:</p>	<p>PROTOTYPE: P-84 (08/07/15) VERSION: 001</p>	<p>© COPYRIGHT QUIKTRIP CORPORATION 2011 ALL RIGHTS RESERVED. NO PART OF THIS DOCUMENT IS TO BE REPRODUCED OR TRANSMITTED IN ANY FORM OR BY ANY MEANS, ELECTRONIC OR MECHANICAL, WITHOUT PERMISSION IN WRITING FROM QUIKTRIP CORPORATION.</p>	<p>QuikTrip No. 0034 S. LYNN LANE RD. AND HILLSIDE DRIVE BROKEN ARROW, OKLAHOMA</p>	<p>AAB Engineering, LLC Engineering & Surveying P.O. Box 21381 • 17E 2nd St Broken Arrow, OK 74015 OKC 405.818.5144-4283 Fax: (405) 818.5330</p>	<p>THIS DOCUMENT IS THE PROPERTY OF AAB ENGINEERING, LLC AND IS NOT TO BE REPRODUCED OR TRANSMITTED IN ANY FORM OR BY ANY MEANS, ELECTRONIC OR MECHANICAL, WITHOUT PERMISSION IN WRITING FROM AAB ENGINEERING, LLC.</p>
<p>ORIGINAL ISSUE DATE:</p>		<p>LANDSCAPE PLAN</p>		<p>SHEET NUMBER: L100</p>		