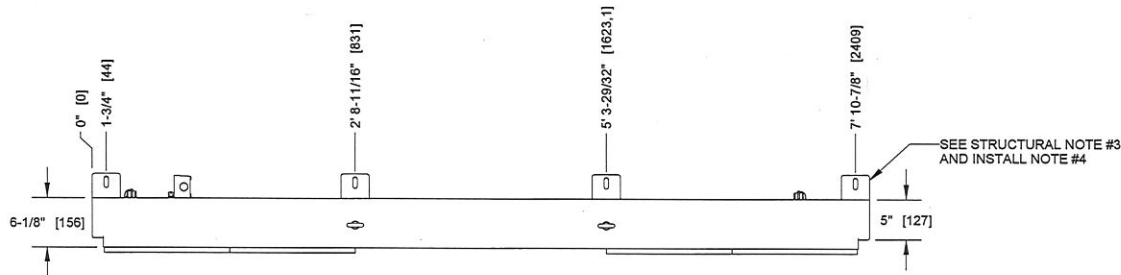
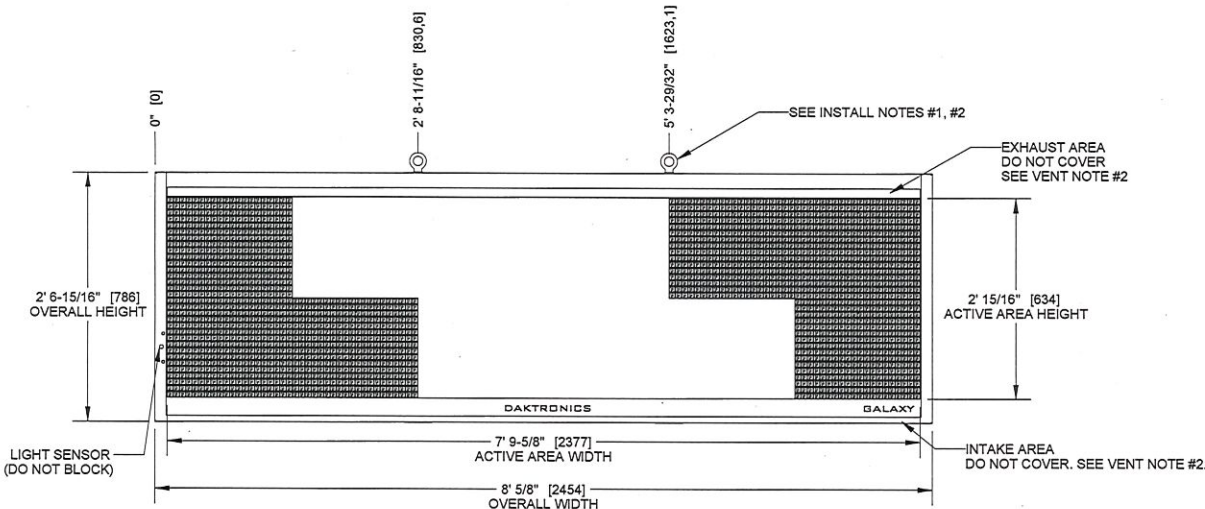


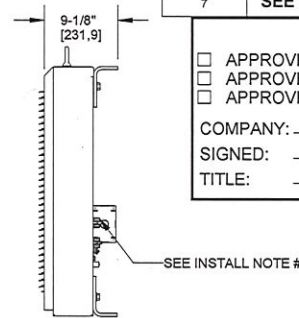
PIXELS HIGH (AAA)	PIXELS WIDE (BBB)	PIXEL SPACING (CC)
40	150	15.85mm
32	120	19.81mm
24	90	26.42mm



TOP VIEW



FRONT VIEW



RIGHT VIEW

#	DETAIL	DESCRIPTION
1	DISPLAY	GS6 - AAAxBBB-CC (SEE CHART ON TOP LEFT)
2	LED COLOR	RED, AMBER, OR RGB
3	ACTIVE AREA	2' 15/16" [634] X 7' 9-5/8" [2377]
4	OVERALL SIZE	2' 6-15/16" [786] X 8' 5/8" [2454]
5	CABINET	ALUMINUM & STEEL
6	VENTILATION	FRONT
7	ACCESS	SERVICE FROM FRONT OF DISPLAY
8	WEIGHT	150 LBS [69 KG] (APPROX)
9	SHIPPING	SHIPPED AS A SINGLE UNIT
10	DIMENSIONS	FEET AND INCHES (MILLIMETERS)
11	PAINTED	SEMI-GLOSS BLACK

STRUCTURAL RATING		
1	DESIGN WIND PRESSURE "P" (CASE A)	P_e=100 PSF (ASD)
2	STANDARD/CODE	IBC 2003/ASCE7-05, IBC 2012/ASCE7-10
3	ALL CLIP ANGLES MUST BE USED TO MOUNT DISPLAY	

POWER RATING PER SINGLE FACE: FOR SIZING ELEC.SERVICE MAX REQ'D SHOWN					
TECHNOLOGY	COLOR	MAX WATTS	120/240VAC 1PH 60Hz (3 WIRES + GND) DOMESTIC		240VAC 1PH 50Hz (2 WIRES + GND) INTERNATIONAL SPECIAL ORDER
			LINE 1 AMPS	LINE 2 AMPS	LINE 1 (AMPS)
GS6	RED	485	4.05	N/A	2.02
	AMBER	485	4.05	N/A	2.02
	RGB	742	6.190	N/A	3.09

VENTILATION REQUIREMENTS	
1	DISPLAY RELIES ON VENTILATION TO FUNCTION PROPERLY. INTAKES, LOCATED AT THE FRONT OF THE DISPLAY, MUST BE ABLE TO DRAW IN AIR AT A TEMPERATURE NO GREATER THAN 120° F.
2	IN ORDER TO ENSURE AMBIENT TEMPERATURE AIRFLOW IS MAINTAINED, NO PORTION OF THE VENTILATION OPENINGS ALONG THE FRONT OF THE DISPLAY MAY BE COVERED OR OBSTRUCTED IN ANY WAY.

INSTALL NOTES	
1	IN ORDER TO PRESERVE THE STRUCTURAL INTEGRITY OF THE DISPLAY CABINET, THE 90° ANGLE BETWEEN THE CABINET AND THE LIFTYEYE MUST BE MAINTAINED - USING A SPREADER BEAM IS SUGGESTED. ALL EYEBOLTS MUST BE USED WHEN LIFTING.
2	1/2" LIFTYEYES TO ASSIST WITH DISPLAY INSTALLATION. LIFTYEYES MAY NOT BE USED FOR PERMANENT INSTALLATION. LIFTYEYES MAY BE REMOVED.
3	MECHANICAL AND SIGNAL CONNECTIONS OCCUR EXTERNAL TO DISPLAY.
4	CLIP ANGLE FOR MOUNTING. CLIP ANGLES CAN BE ADJUSTED VERTICALLY 1 - 3/16" AS NEEDED DURING INSTALLATION. CLIP ANGLE CAN BE WELDED OR BOLTED TO STRINGER.
5	DAKTRONICS IS NOT RESPONSIBLE FOR THE MOUNTING HARDWARE OR THE INTEGRITY OF THE MOUNTING STRUCTURE.
6	DAKTRONICS IS NOT RESPONSIBLE FOR THE MAIN ELECTRICAL DISCONNECT. SEE POWER RATINGS ABOVE.
7	SEE DWG-03097583 FOR SIGNAL & MTG DETAILS

SUBMITTAL APPROVAL

APPROVED
 APPROVED AS NOTED
 APPROVED AS NOTED & RESUBMIT

COMPANY: _____
 SIGNED: _____
 TITLE: _____ DATE: _____

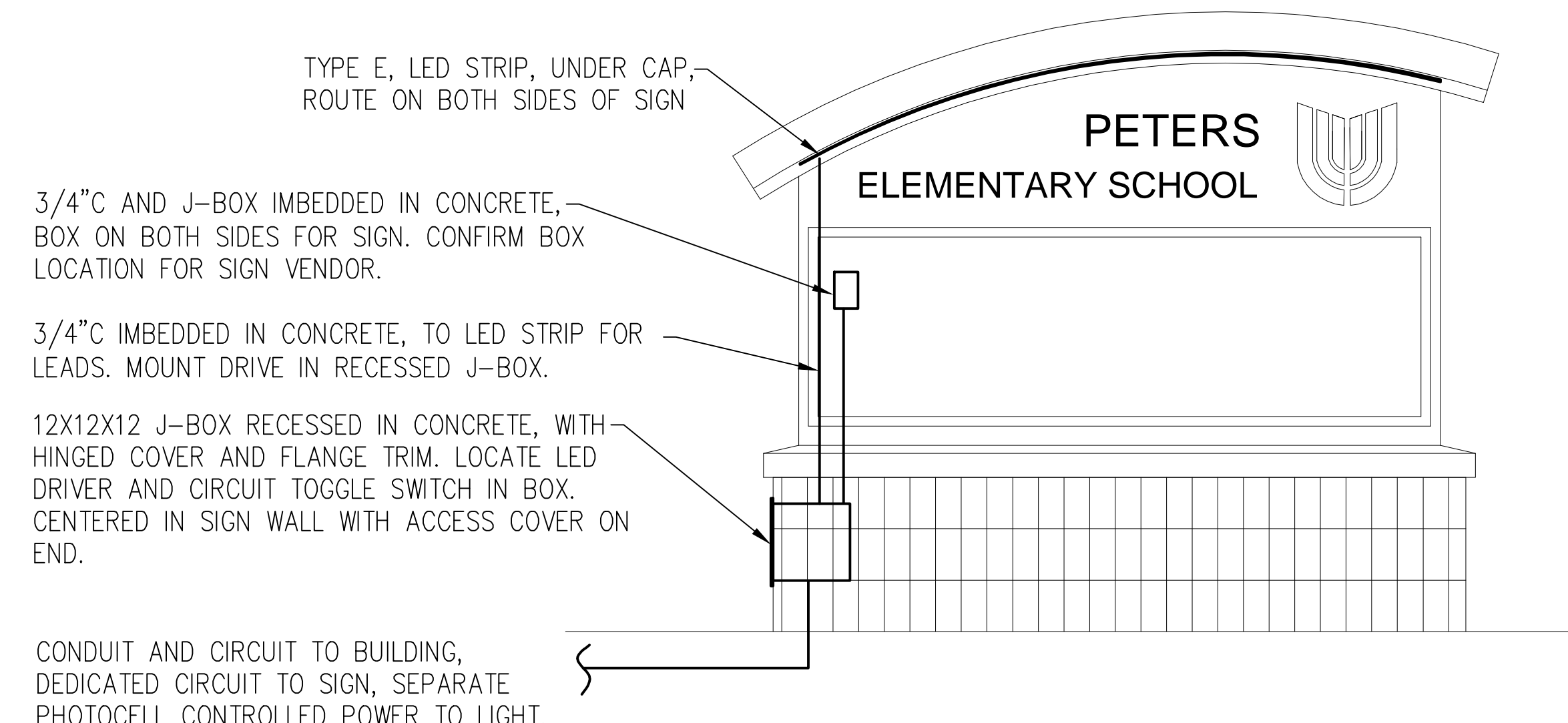
		THE CONCEPTS EXPRESSED AND DETAILS SHOWN ON THIS DRAWING ARE CONFIDENTIAL AND PROPRIETARY. DO NOT REPRODUCE BY ANY MEANS WITHOUT THE EXPRESS WRITTEN CONSENT OF DAKTRONICS, INC.	
DO NOT SCALE DRAWING			
PROJ: GALAXY GS6 SERIES			
TITLE: SHOP DWG, GS6-R, 2' 7"x8' 1" (2x6 MODS)			
DESIGN: TWHITEH	DRAWN: DOSTRAA	DATE: 05-AUG-15	
SCALE: 1/15			
SHEET: 1 OF 1	REV: 00	JOB NO: P 1817	FUNC-TYPE-SIZE: E - 07 - B

REV	DATE	BY

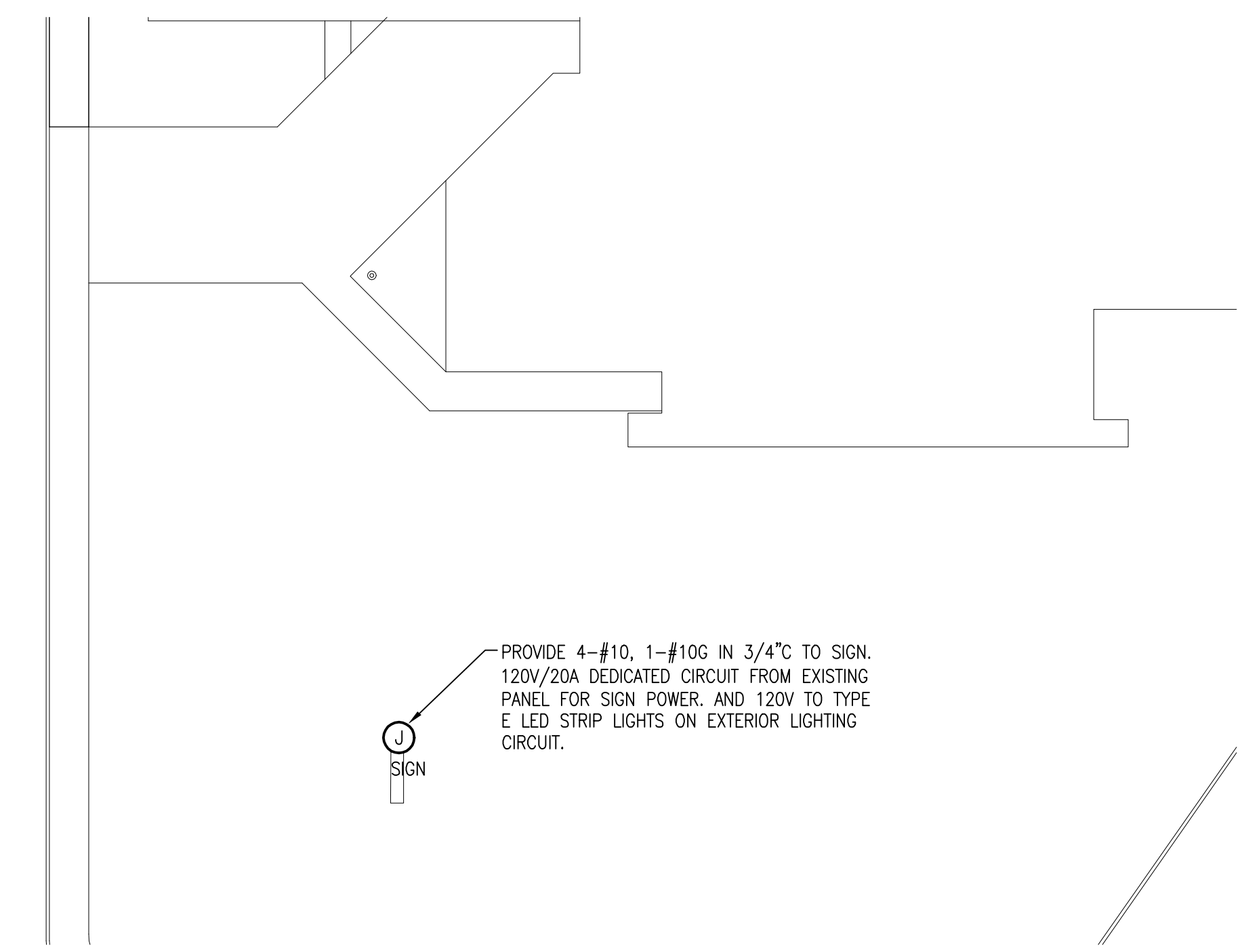
3111193

ELECTRICAL GENERAL NOTES

1. PRIOR TO BID AND CONSTRUCTION SURVEY THE SITE TO DETERMINE ALL EXISTING CONDITIONS RELATED TO THE WORK. THIS INCLUDES ALL EXISTING UTILITIES.
2. ELECTRICAL CONTRACTOR TO COORDINATE THE MOUNTING HEIGHTS OF ALL RECEPTACLES WITH ARCHITECT.
3. ALL CIRCUITS SHALL HAVE AN EQUIPMENT GROUND WIRE ROUTED IN THE CONDUIT.
4. ALL 120V BRANCH CIRCUITS SHALL BE #10 THHN, MINIMUM.
5. CONTRACTOR SHALL BE RESPONSIBLE FOR COORDINATING BREAKER SIZE AND DISCONNECT SIZE FOR EQUIPMENT WITH MECHANICAL CONTRACTOR AND WITH OWNER ON OWNER PROVIDED EQUIPMENT.
6. THE DRAWINGS ARE INTENDED TO COVER THE LAYOUT AND DESIGN OF THE WORK AND ARE NOT TO BE SCALED FOR MEASUREMENTS.
7. ANY CONNECTION TO OR RELOCATION OF EXISTING UTILITIES REQUIRING DISCONNECTION OF NORMAL UTILITY SERVICES SHALL BE SCHEDULED AND COORDINATED WITH THE OWNER OR HIS REPRESENTATIVE. PREMIUM TIME SHALL BE INCLUDED.
8. IN NO CASE SHALL THE UTILITIES BE LEFT DISCONNECTED AT THE END OF A WORKDAY WITHOUT PRIOR AUTHORIZATION FROM THE ARCHITECT.
9. PROVIDE ALL EXCAVATION NECESSARY FOR INSTALLATION OF THE WORK INCLUDED. COMPLY WITH ALL APPLICABLE AND GOVERNING SAFETY REGULATIONS INCLUDING OSHA.
10. CONTRACTOR SHALL REPAIR ANY EXISTING FACILITIES DAMAGED DUE TO THE OPERATIONS OF THE CONTRACTOR.
11. WORK SHALL BE PERFORMED IN ACCORDANCE WITH ALL APPLICABLE REQUIREMENTS OF ALL GOVERNING CODES, RULES AND REGULATIONS, INCLUDING THE FOLLOWING MINIMUM STANDARDS, WHETHER STATUTORY OR NOT: IBC, NEC, NFPA, ADA.
12. CONTRACTOR SHALL PROCURE AND PAY FOR ALL REQUIRED PERMITS AND LICENSES.
13. GUARANTEE EACH NEW SYSTEM AND EACH ELEMENT THEREOF AGAINST ANY DEFECT DUE TO FAULTY WORKMANSHIP, DESIGN OR MATERIAL FOR A PERIOD OF ONE YEAR FROM DATE OF SUBSTANTIAL COMPLETION.
14. INSTALL ALL EQUIPMENT IN ACCORDANCE WITH MANUFACTURER'S INSTALLATION INSTRUCTIONS AND RECOMMENDATIONS.
15. THE CONTRACTOR SHALL SHOW, ON BLACKLINE PRINTS, ANY CHANGES FROM THE ORIGINAL DRAWINGS MADE DURING INSTALLATION DELIVER TO THE ARCHITECT WHEN THE WORK IS COMPLETED.
16. PROVIDE COPIES OF OPERATING AND SERVICE MANUALS, INCLUDING OPERATING INSTRUCTION, SERVICE INSTRUCTIONS, APPROVED SUBMITTALS, AND APPROVED SHOP DRAWINGS TO THE OWNER.
17. DEMONSTRATE TO AND INSTRUCT THE OWNER IN THE PROPER OPERATION AND MAINTENANCE OF ALL SYSTEMS.
18. WHERE EQUIPMENT IS FURNISHED BY THE OWNER OR OTHER CONTRACTOR, PROVIDE ROUGH-IN AND MAKE FINAL CONNECTIONS PER SHOP DRAWINGS AND MANUFACTURER'S INSTALLATION INSTRUCTIONS.
19. STORE EQUIPMENT AND MATERIAL TO PREVENT DAMAGE. DAMAGED EQUIPMENT SHALL BE REPLACED OR RESTORED TO A CONDITION ACCEPTABLE TO THE OWNER.
20. TEST ALL DEVICES, PERFORM EQUIPMENT START-UP, AND MAKE ANY ADJUSTMENTS REQUIRED TO MAKE THE EQUIPMENT FULLY OPERATIONS PER THE MANUFACTURER'S INSTRUCTIONS.
21. PROVIDE FIRESTOPPING FOR PIPES, DUCTWORK, ETC. PASSING THROUGH FIRE OR SMOKE PARTITIONS.
22. COORDINATE WITH OTHER TRADES WHEN LOCATING EQUIPMENT, LIGHTS, PIPING, DUCTWORK, ETC.
23. PROVIDE PULL STRING IN ALL EMPTY CONDUITS.
24. PRIOR TO WORK CONFIRM ALL EXISTING EXTERIOR BUILDING MOUNTED LIGHTS ARE CONNECTED ON PHOTOCELL CONTROLLED CIRCUIT.
25. OBTAIN APPROVAL FROM FIRE MARSHALL FOR EMERGENCY LIGHT LOCATIONS.
26. THE 'ELECTRICAL' DOCUMENTS ARE NOT STAND ALONE DOCUMENTS BUT ARE A PORTION OF A LARGER SET OF CONSTRUCTION DOCUMENTS. REFER TO ALL DOCUMENTS FOR WORK.
27. ALL CONDUIT SHALL BE CONCEALED. EXPOSED CONDUIT IS PROHIBITED.
28. TYPE A: RETROFIT EXISTING CAN LIGHTS IN SOFFIT. RECONNECT TO EXISTING CIRCUIT. PROVIDE PHOTOCELL ON CIRCUIT IF REQUIRED.
29. TYPE B: REMOVE/DEMOLISH EXISTING FIXTURE AND INSTALL NEW IN EXISTING LOCATION. RECONNECT TO EXISTING CIRCUIT CONFIRM CIRCUIT IS ON PHOTOCELL, IF NOT PROVIDE PHOTOCELL ON FIXTURE.
30. TYPE C: MOUNT HIGH ON WALL TO ILLUMINATE FLAGPOLE, AIM AS DIRECTED BY OWNER. CONNECT TO EXISTING EXTERIOR LIGHTING CIRCUIT.
31. TYPE D: REMOVE EXISTING FIXTURE HEADS AND PROVIDE NEW HEADS AND ARMS ON EXISTING POLES.
32. TYPE B ALTERNATE: PROVIDE ALTERNATE PRICE TO REMOVE SURFACE MOUNTED CONDUIT, PENETRATE WALL BEHIND FIXTURE, AND ROUTE CIRCUIT CONCEALED INSIDE BUILDING TO FIXTURES.
33. WORK TO BE PRICED ACCORDING TO ALTERNATES AND BID PACKAGING. REFER TO ARCHITECTURAL COVER SHEET AND OWNER'S DIRECTION FOR PRICING.
34. TURN OVER TO OWNER ALL REMOVED DEMOLISHED LIGHT FIXTURES.



B ELECTRICAL ROUGH IN
SCALE: N.A.



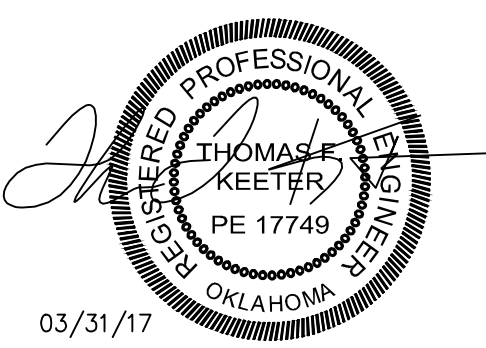
A ELECTRICAL PLAN
SCALE: 1"=20'



KKT ARCHITECTS, INC.
2200 SOUTH UTICA PLACE, SUITE 200
TULSA, OKLAHOMA 74114
[P] 918.744.4270 \ [F] 918.744.7849
WWW.KKTARCHITECTS.COM

**UNION
TOM W.
PETERS
ELEMENTARY**

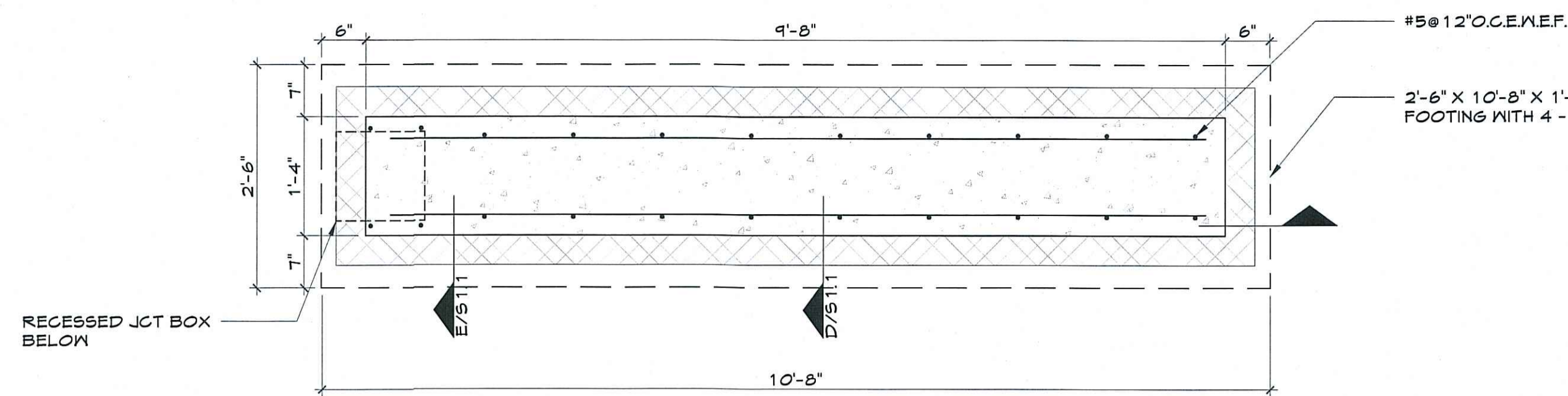
2900 W COLLEGE
St.
BROKEN ARROW
OK
74012



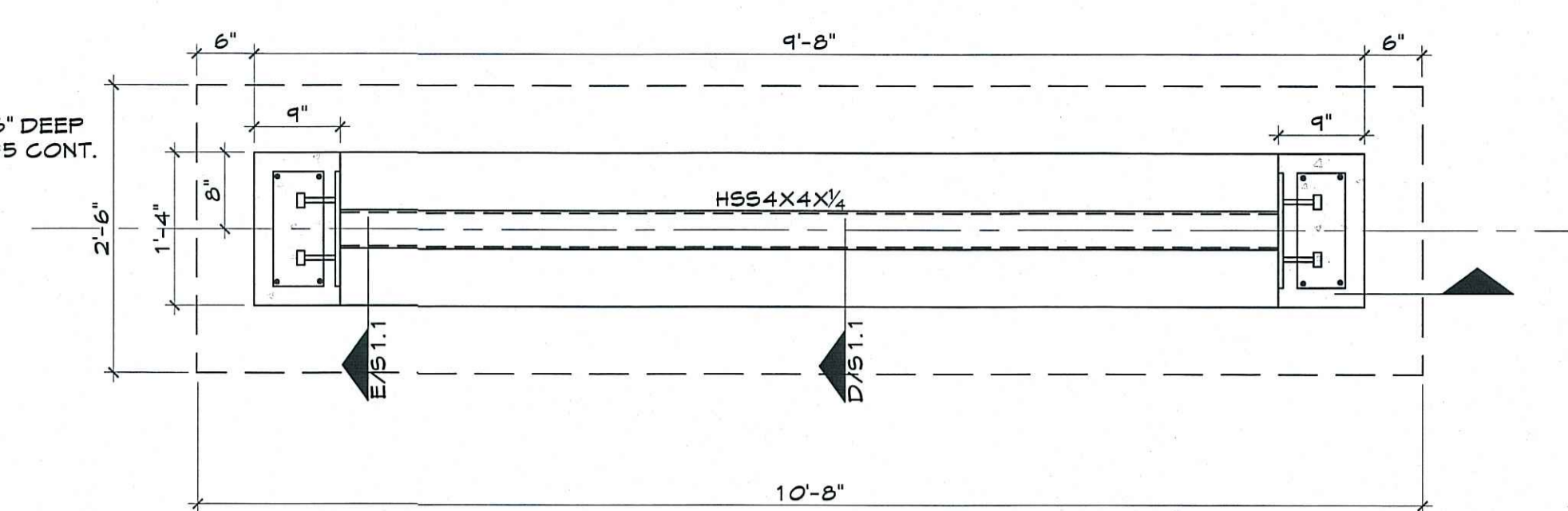
Thomas F. Keeter, PE# 17749
TFK Engineering, Inc.
CofA# 5206 exp 6/2017

SCALE	AS SHOWN
MANAGER	LN
DRAWN BY	MM
CONSTRUCTION DOCUMENTS	3.31.17

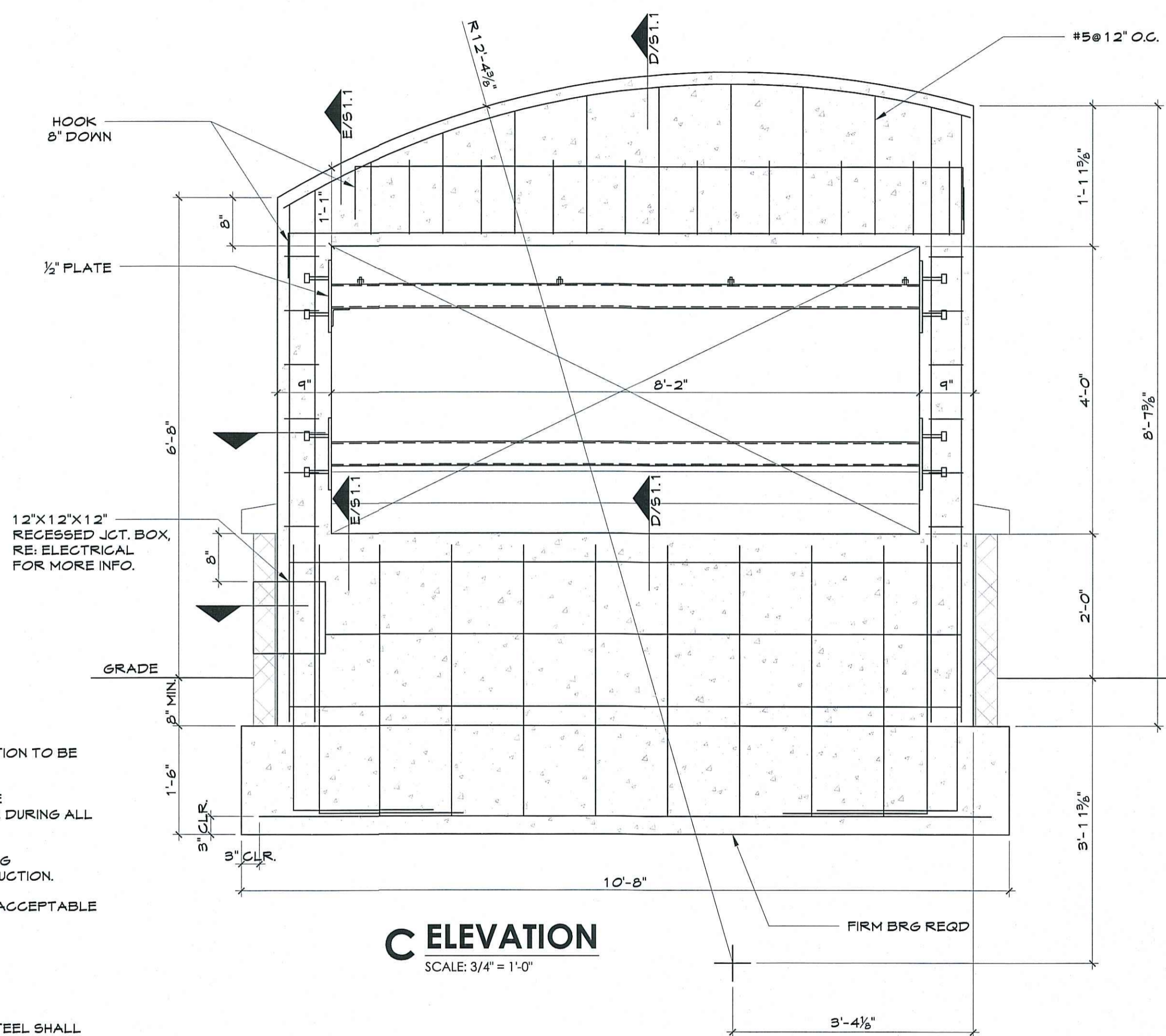
ELECTRICAL PLAN
P-E1.1



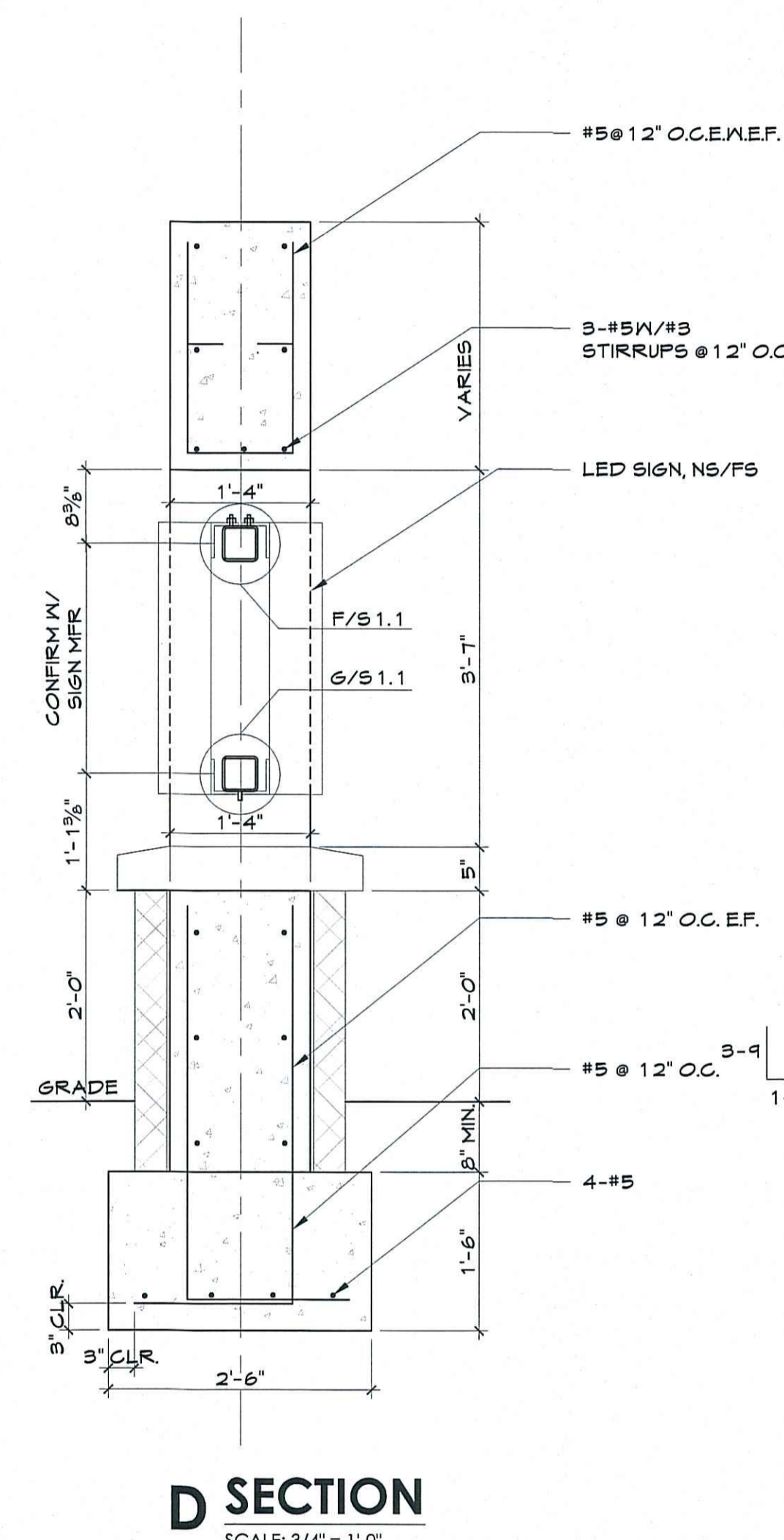
A FOUNDATION PLAN
SCALE: 3/4" = 1'-0"



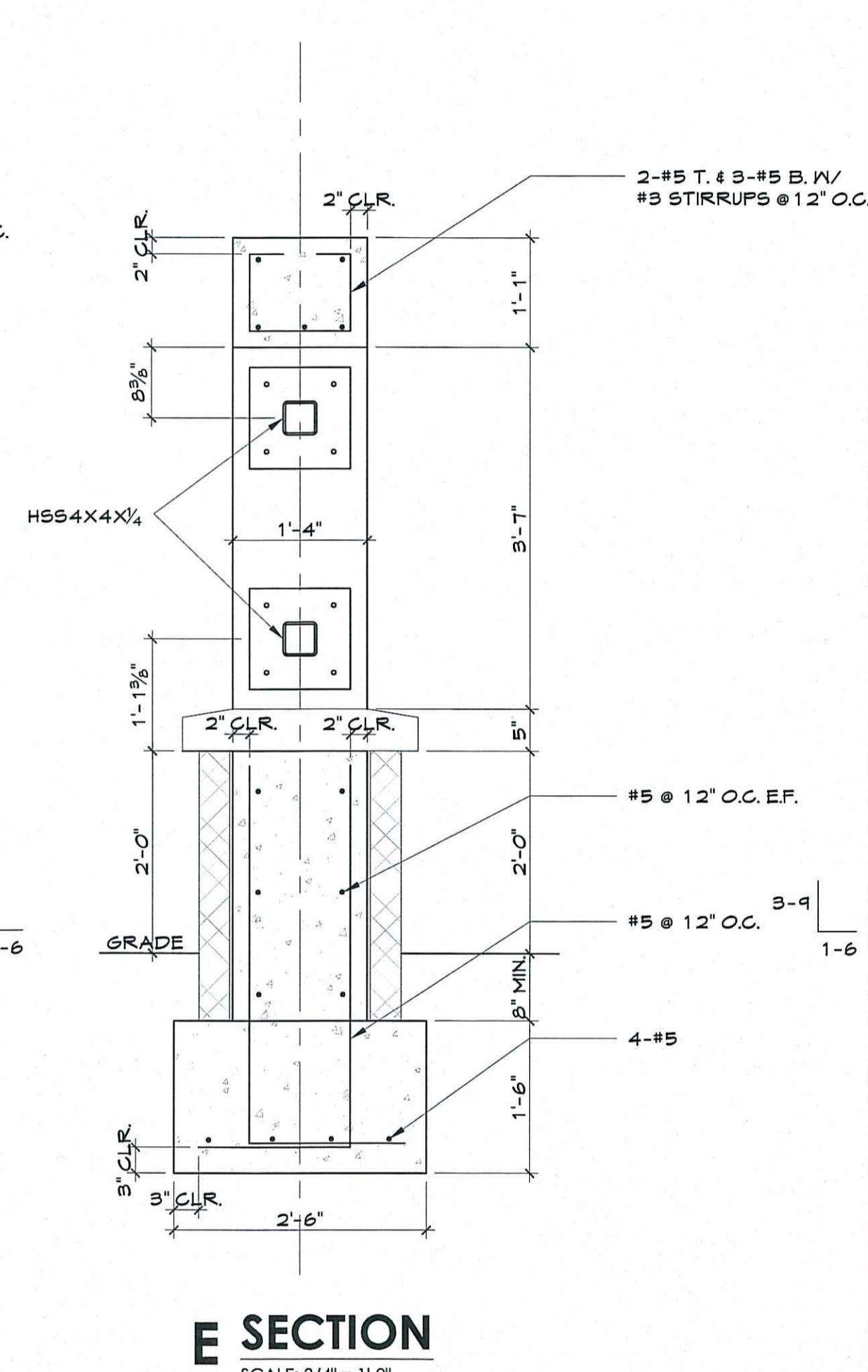
B PLAN
SCALE: 3/4" = 1'-0"



C ELEVATION
SCALE: 3/4" = 1'-0"



D SECTION
SCALE: 3/4" = 1'-0"



E SECTION
SCALE: 3/4" = 1'-0"

GENERAL NOTES

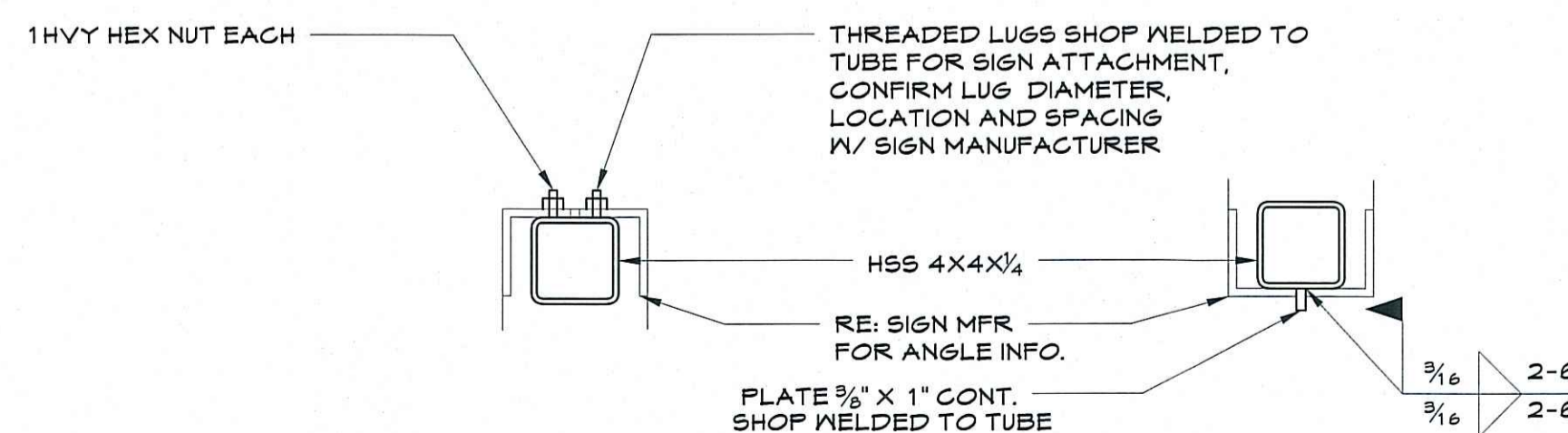
- REFER ARCHITECTURAL DRAWINGS FOR ADDITIONAL INFORMATION TO BE COORDINATED WITH THE STRUCTURAL DRAWINGS.
- THE CONTRACTOR IS RESPONSIBLE FOR PROVIDING ADEQUATE TEMPORARY SUPPORT AND STABILITY OF EXISTING STRUCTURE DURING ALL PHASES OF CONSTRUCTION.
- THE CONTRACTOR SHALL FIELD VERIFY ALL PERTINENT EXISTING DIMENSIONS AND ELEVATIONS PRIOR TO SHOP DRAWING PRODUCTION.
- NO REPRODUCTIONS OF THE CONSTRUCTION DOCUMENTS ARE ACCEPTABLE FOR USE AS SHOP DRAWINGS.

CONCRETE

- ALL DETAILING, FABRICATION AND PLACING OF REINFORCING STEEL SHALL CONFORM TO THE ACI STANDARD "DETAILS AND DETAILING OF CONCRETE REINFORCEMENT" (ACI 315).
- ALL CONCRETE SHALL DEVELOP A 28 DAY MINIMUM COMPRESSIVE STRENGTH OF 4000 PSI.
- ALL CONCRETE SHALL HAVE AN AIR CONTENT OF 6% ± 1%.
- CHAMFER ALL EXPOSED EXTERNAL CORNERS OF CONCRETE WITH 3/4" X 45° CHAMFER, UNLESS NOTED OTHERWISE.
- ALL REINFORCING STEEL SHALL BE DEFORMED BARS CONFORMING TO ASTM A615, GRADE 60.
- ALL REINFORCING BAR SPLICES SHALL BE 44 DIAMETERS.
- ALL REINFORCING BAR HOOKS SHALL BE ACI STANDARD 90° HOOKS, UNLESS NOTED OTHERWISE.

STRUCTURAL STEEL

- ALL DETAILING, FABRICATION AND ERECTION OF STRUCTURAL STEEL SHALL CONFORM TO THE REQUIREMENTS OF THE AISC SPECIFICATION FOR THE DESIGN, FABRICATION AND ERECTION OF STRUCTURAL STEEL FOR BUILDINGS.
- STEEL TUBES SHALL CONFORM TO ASTM A500, GRADE B.
- ALL OTHER STRUCTURAL STEEL SHALL CONFORM TO THE REQUIREMENTS OF ASTM A36.
- HEADED STUD ANCHORS (H.S.A.) SHALL CONFORM TO ASTM A108.
- ALL WELDING SHALL CONFORM TO THE SPECIFICATIONS OF THE AMERICAN WELDING SOCIETY. WELDING ELECTRODES SHALL BE E-70 SERIES. WELDING SHALL BE DONE BY A QUALIFIED WELDER.

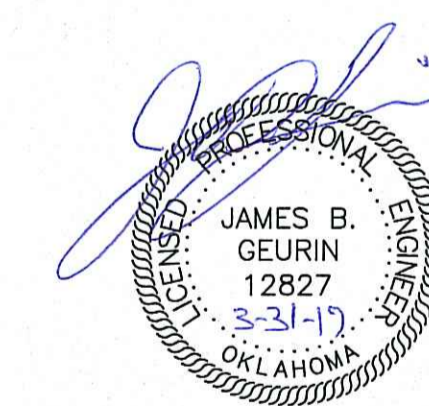


F SECTION
SCALE: 1 1/2" = 1'-0"

G SECTION
SCALE: 1 1/2" = 1'-0"

**UNION
TOM W.
PETERS
ELEMENTARY**

2900 W COLLEGE
St.
BROKEN ARROW
OK
74133



SCALE	AS SHOWN
MANAGER	RG
DRAWN BY	
CONSTRUCTION DOCUMENTS	3.31.17

SIGN
DETAILS

P-S1.1