

TEMPORARY CONSTRUCTION EASEMENT

KNOW ALL MEN BY THESE PRESENTS:

That all undersigned, FOUR P PROPERTIES, an Oklahoma Limited Liability Company, the Owner(s), of the legal and equitable title to the following described real estate situated in TULSA County, State of Oklahoma, for and in consideration of the sum of One Dollar (\$1.00), cash in hand, paid by the City of Broken Arrow, Oklahoma, and other good and valuable considerations, receipt of which are hereby acknowledged, do(es) hereby grant and convey unto the said City of Broken Arrow, County of Tulsa, State of Oklahoma, a temporary easement, through, over, and under, and across the following described property, situated in said County, to-wit:

SEE EXHIBIT "A"

for a period of not more than 12 MONTHS FROM THE START OF CONSTRUCTION. This grant of temporary right to use and occupy is given for the purpose of permitting the City of Broken Arrow, its employees, representatives, agents, and/or persons under contract with it, to use said described property for construction of street improvements for the Florence Street Improvements, Olive to Aspen, project # ST1410.

That the Owner(s) agree that this temporary construction easement shall be binding upon their heirs, executors, administrators and personal representatives during the term hereof and further agree that in the event the premises covered by this temporary construction easement are sold, assigned or conveyed, that the purchaser or grantee thereof will be advised of the existence of this temporary grant and that said sale during said term shall be made subject to the rights herein given.

IN WITNESS WHEREOF, the parties hereto have caused this instrument to be executed this 28 day of September, 2018.

FOUR P PROPERTIES, LLC
Julian C. Pope
Julian C. Pope, Manager

State of Oklahoma)
) §
County of Tulsa)

Before me, the undersigned, a Notary Public within and for said County and State, on this day 28th of September, 2018, personally appeared Julian C. Pope, to me known to be the identical person(s) who executed the within and foregoing instrument and acknowledged to me that he executed the same as his free and voluntary act and deed for the purposes therein set forth.

IN WITNESS WHEREOF, I have hereunto set my hand and affixed my official seal the day and year last above written.



Zakkerly Kothhoff
Notary Public

Approved as to Form:
Lesli Myers
Assistant City Attorney

Approved as to Substance:
Michael L. Spurgeon, City Manager

Engineer: WSE checked: 10-8-18

Attest:

City Clerk

EXHIBIT A

Page 1 of 2

LEGAL DESCRIPTION

Part of the NE/4 of Section 33
T-18-N R-14-E

Four P Properties, LLC

Temporary Construction Easement

A tract of land lying in the Northeast Quarter (NE/4) of Section 33, Township 18 North, Range 14 East, I.M., Tulsa County, Oklahoma. Said tract of land being described by metes and bounds as follows:

Commencing at the Northwest Corner of the Northeast Quarter (NE/4) of Section 33;

Thence N 88°34'36" E on the North line of said Northeast Quarter (NE/4) a distance of 1386.94 feet;

Thence S 01°25'24" E and departing the North line of said Northeast Quarter (NE/4) a distance of 50.00 feet to a point on the Southerly Permanent Right of Way line of Florence Street, said point being the point of beginning;

Thence N 88°34'36" E on said Southerly Permanent Right of Way line of Florence Street a distance of 30.00 feet;

Thence S 01°25'24" E and departing said Southerly Permanent Right of Way line of Florence Street a distance of 60.00 feet;

Thence S 88°34'36" W on a line parallel with and 110.00 feet south of the North line of said Northeast Quarter (NE/4) a distance of 30.00 feet;

Thence N 01°25'24" W a distance of 60.00 feet to the point of beginning.

Said tract contains 0.04 acres (1800.0 sq. ft.) of land as described.

Real Property Certification

I, Brian C. Bird, certify that the attached legal description closes in accordance with existing records, is a true representation of the real property as described, and meets the minimum technical standards for land surveying of the State of Oklahoma.

Brian C. Bird
Oklahoma P.L.S. # 1869
CEC Corporation
Certificate of Authorization No. 32
CA Expiration Date: June 30, 2018

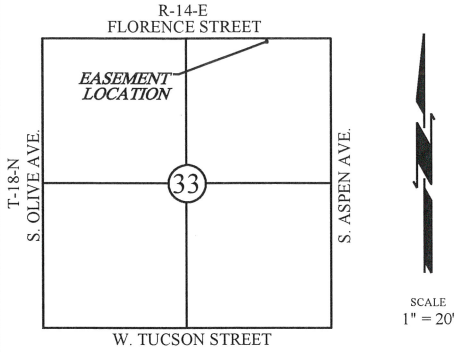


Temporary Construction Easement

PARCEL 17.1

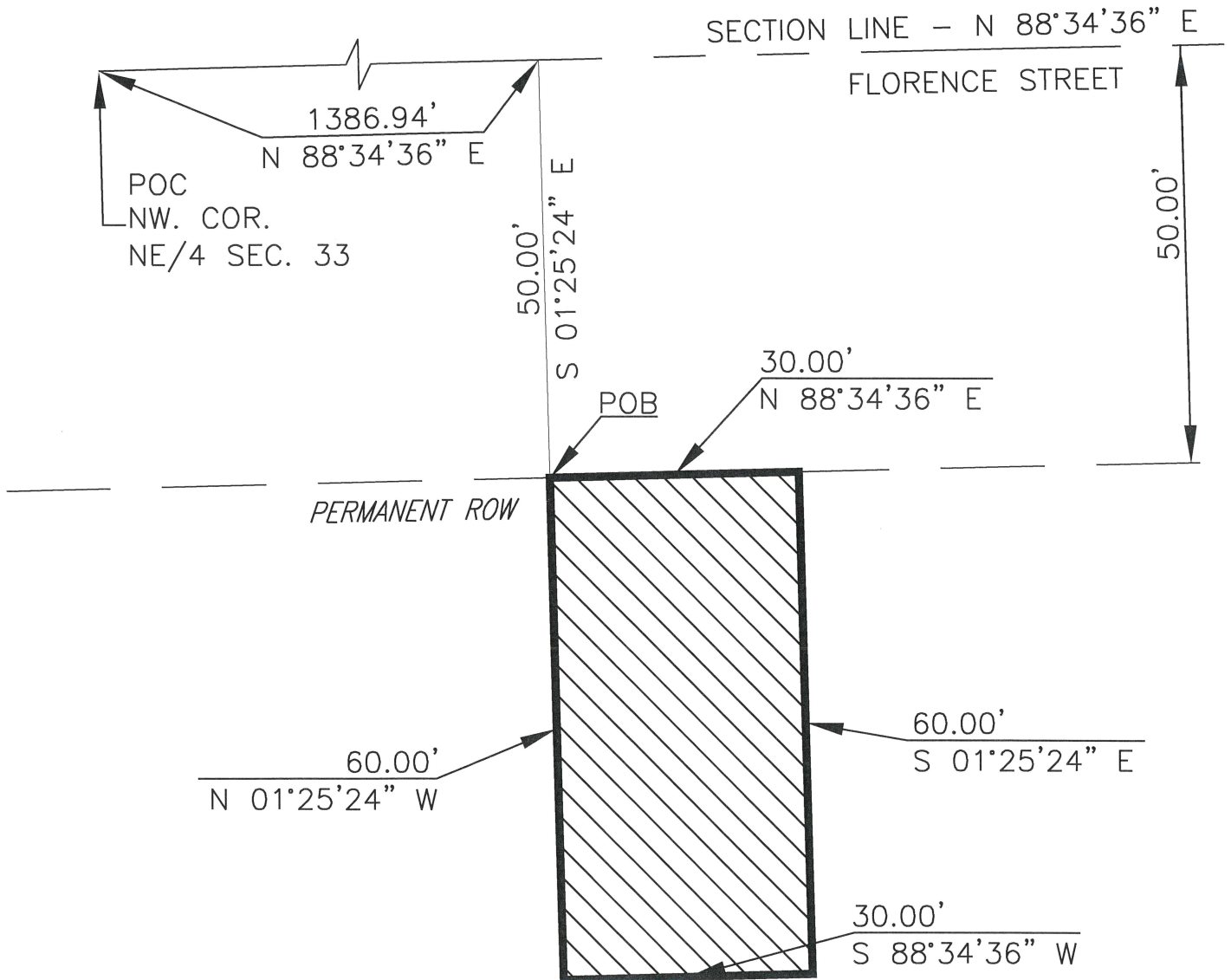
EXHIBIT "A"

PAGE 2 OF 2



*PART OF THE NE/4 OF SECTION 33
T-18-N R-14-E
FOUR P PROPERTIES, LLC
(0.04 ACRES (1800.0 SQ. FT.))
OF TEMPORARY CONSTRUCTION
EASEMENT*

*BASIS OF BEARING FOR THIS SURVEY IS
THE NORTH LINE OF THE NE/4 OF
SECTION 33 BEING N 88°34'36"E*



Brian C. Bird
BRIAN C. BIRD
PROFESSIONAL LAND SURVEYOR # 1869

Temporary Construction Easement			
<i>CEC Corporation</i>			
<i>Surveying & Mapping Division</i>			
4555 W. MEMORIAL RD.			
OKLAHOMA CITY, OK 73142			
405.753.4200			
CA #32 EXP. 06-30-18	REVISOR:	CEC	04/27/18
	DRAWN:	CEC	04/27/18
	APPROVED:	BCB	04/27/18