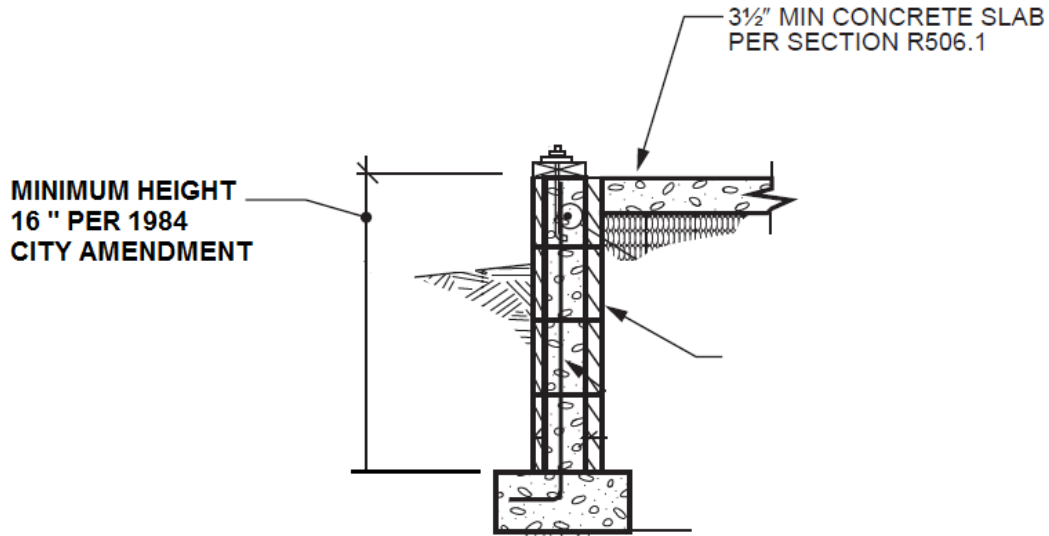


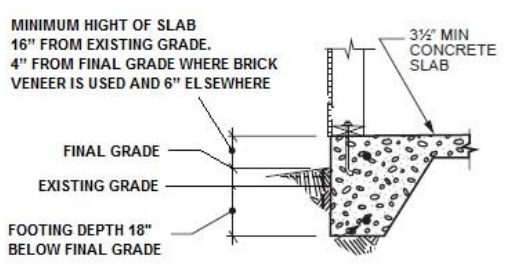
Common foundation system used in the mid-1980s showing  
1984 City amendment:



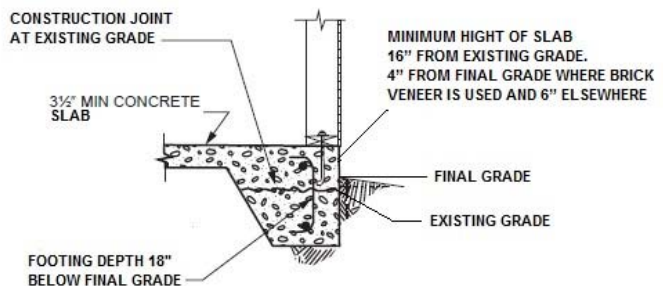
SLAB-ON-GROUND WITH  
**MASONRY OR CONCRETE STEM WALL (FOUNDATION WALL)**

SCALE: NOT TO SCALE

# Common foundation system used today showing current City amendment:

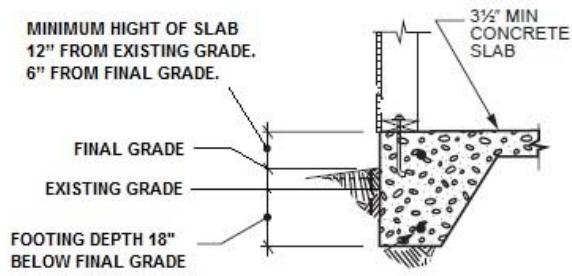


1 SLAB-ON-GROUND WITH  
MONOLITHIC TURNED-DOWN FOOTING  
SCALE: NOT TO SCALE

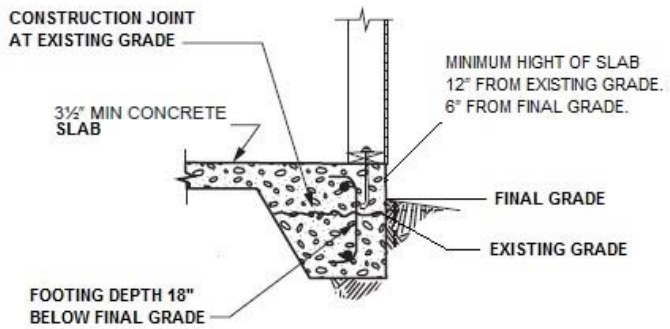


2 SLAB-ON-GROUND WITH  
TURNED-DOWN FOOTING  
SCALE: NOT TO SCALE

# Common foundation system used today showing proposed City amendment:



1 SLAB-ON-GROUND WITH  
MONOLITHIC TURNED-DOWN FOOTING  
SCALE: NOT TO SCALE



2 SLAB-ON-GROUND WITH  
TURNED-DOWN FOOTING  
SCALE: NOT TO SCALE